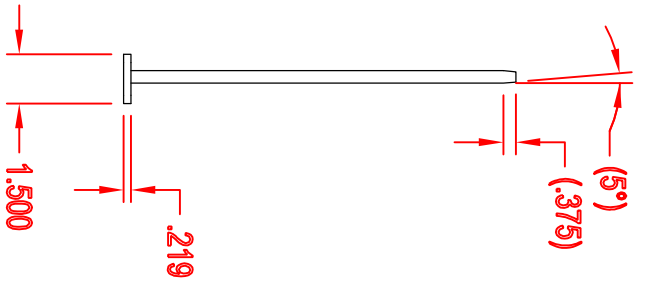
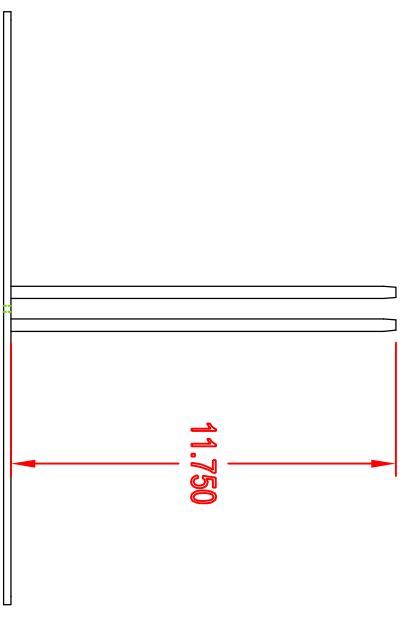
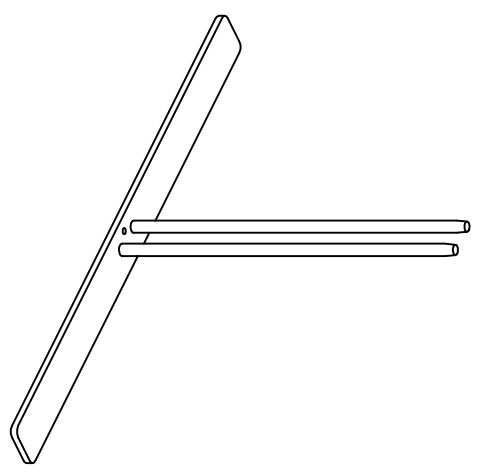
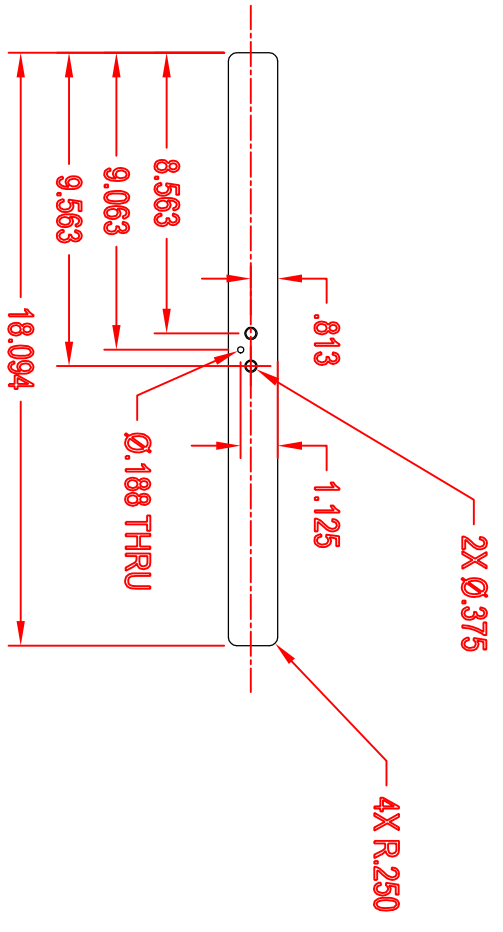


PART #	PP002			REV	-
REV	CHANGES	ECN	BY	DATE	
-	INITIAL RELEASE	000	ALB	27 AUG 07	



- 3)
- 2) BPCIS #: 11013.
- 1) MATERIAL: STEEL.

DIMENSIONS IN [] ARE IN MILLIMETERS

TOLERANCES UNLESS OTHERWISE SPECIFIED	DECIMAL .XX ± .100	DECIMAL .XXX ± .010	ANGULAR X° ± 2°	[.100] [0.010] N/A
---------------------------------------	--------------------	---------------------	-----------------	--------------------

CRITICAL
CHARACTERISTICS

SCALE 1:6

SIZE A

PROPRIETARY & CONFIDENTIAL
SOLE PROPERTY OF:
mily-lite
DO NOT SCALE OR COPY

PORTABLE PARTITIONSPV
PART NAME
VERSIFOOT

BILL OF MATERIALS			
DESCRIPTION	LENGTH	QTY	
3/8" STEEL ROD	11 3/4"	2	
1 1/2" X 7/32" STEEL STRAP	18 3/32"	1	

SHEET 1 OF 1

DR. BY ALB DATE 27 AUG 07

WORKED BY DATE 00 000 00

CK. BY DATE 00 000 00